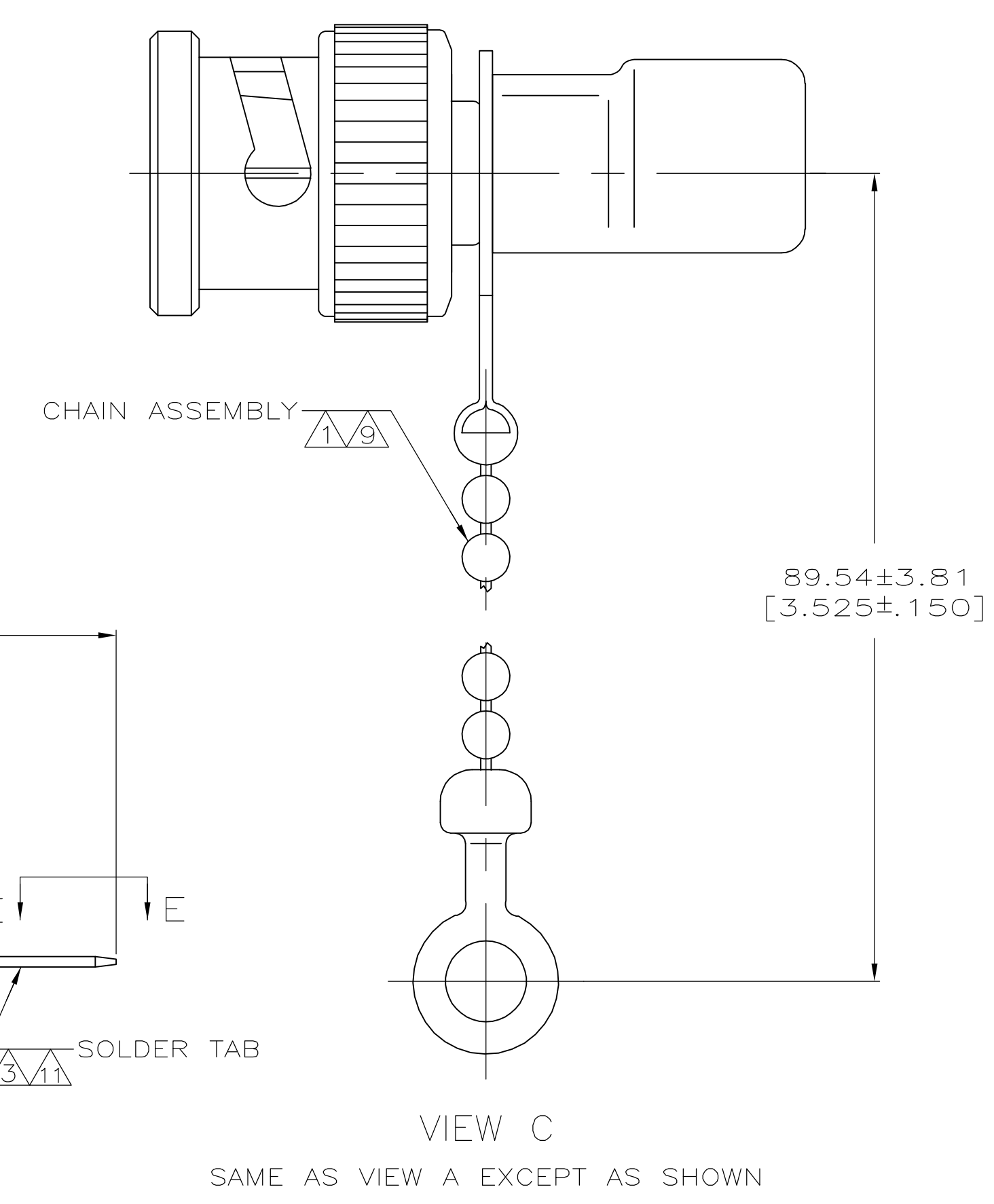
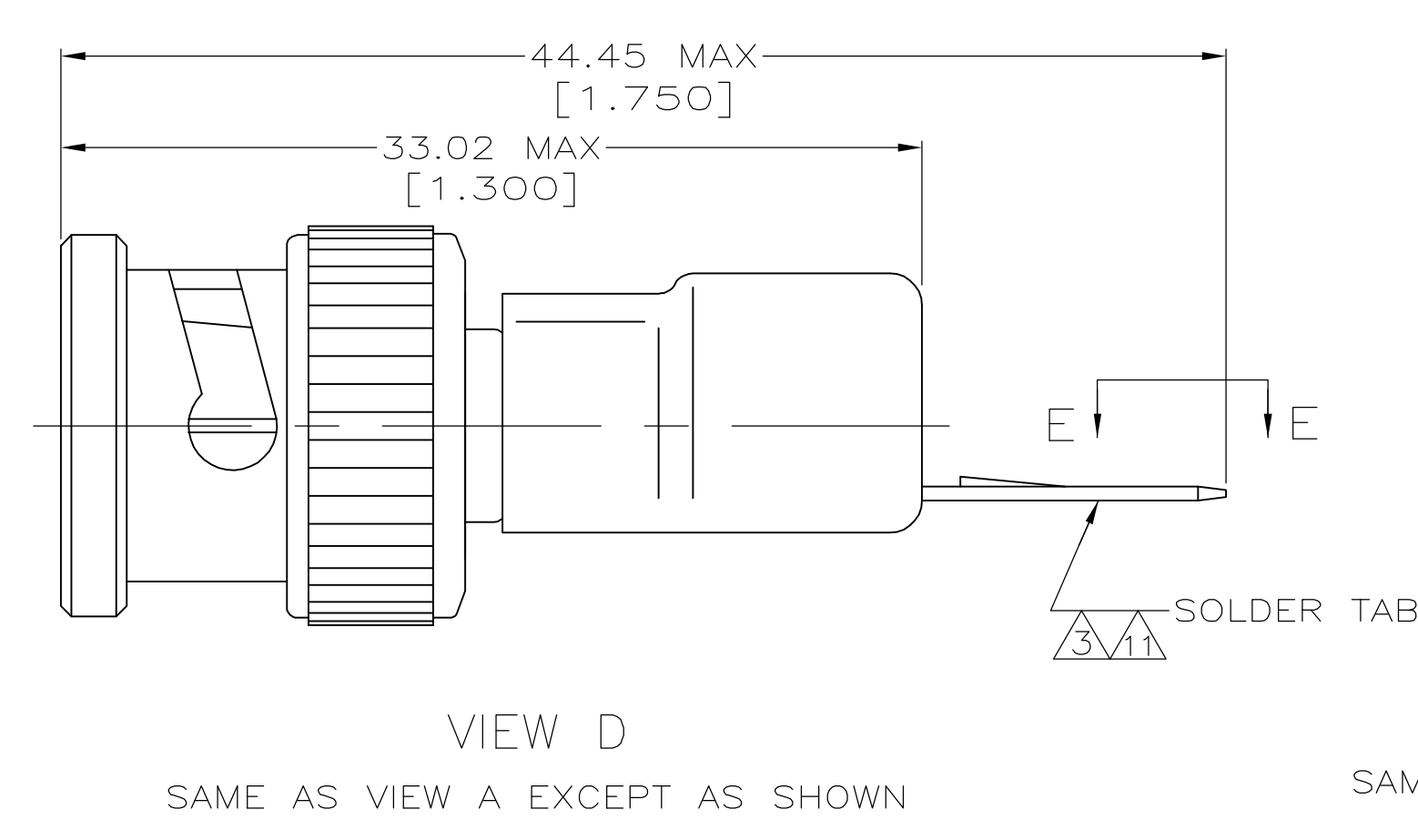
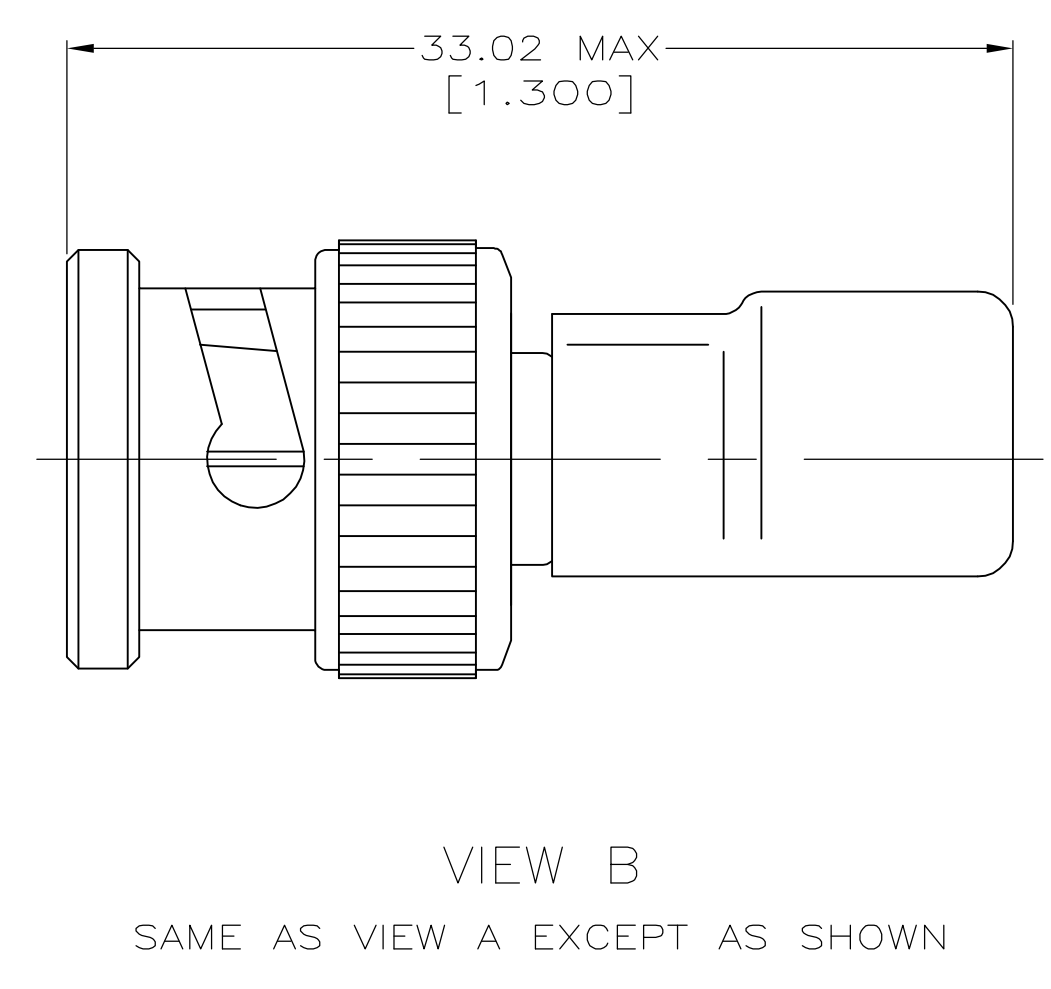
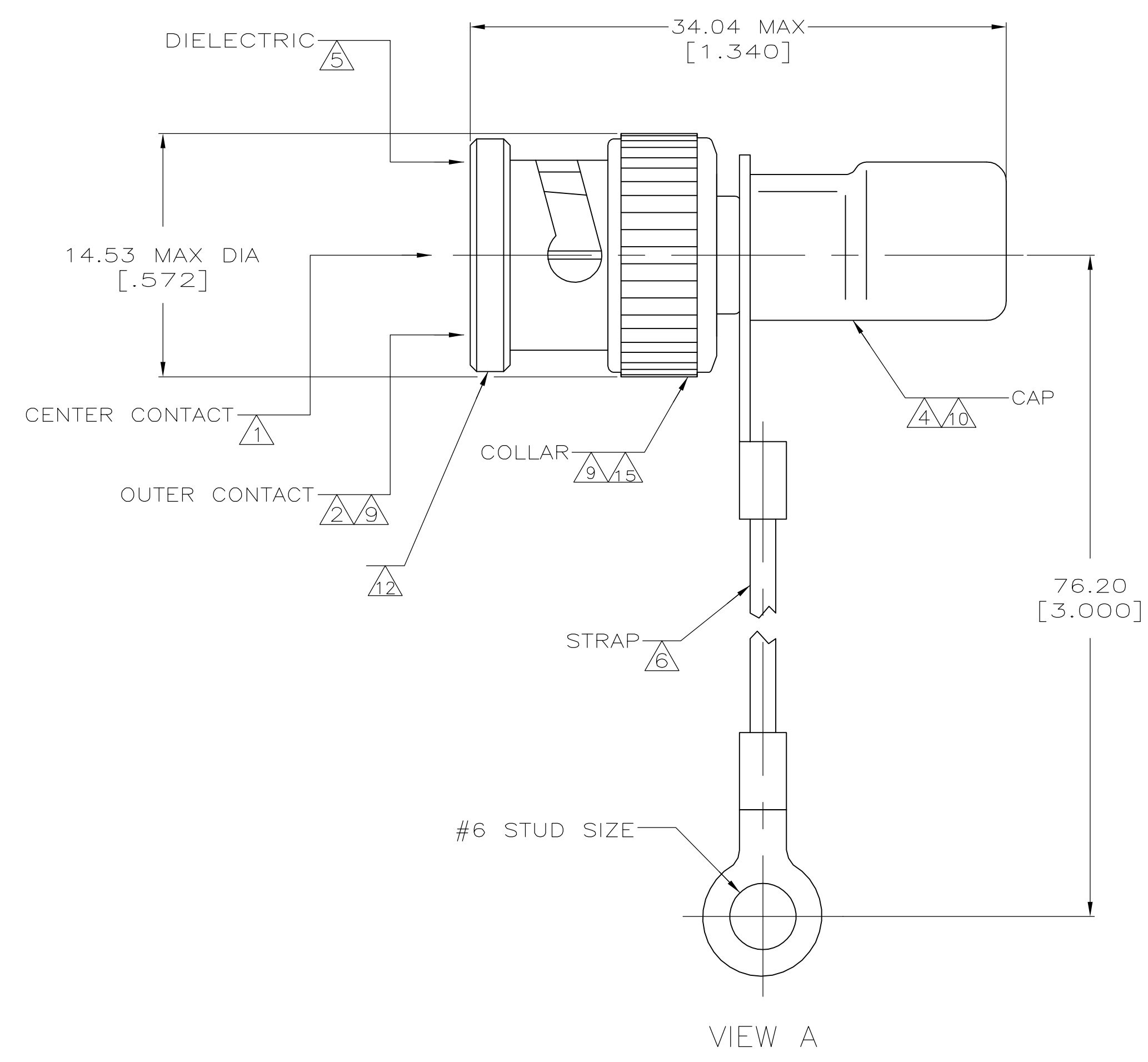
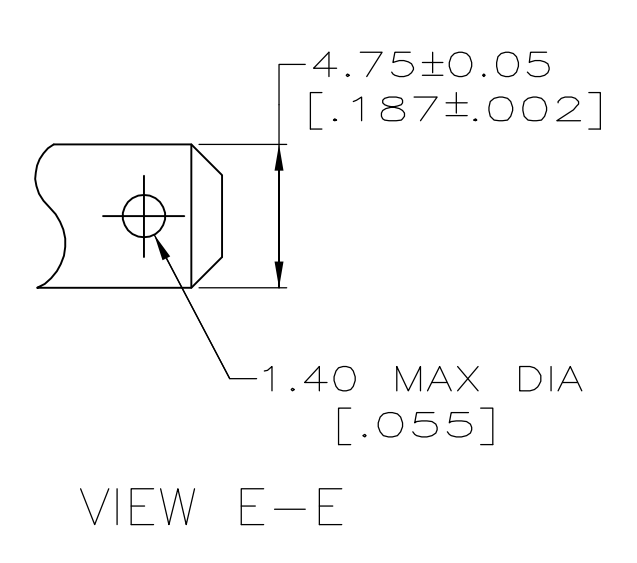
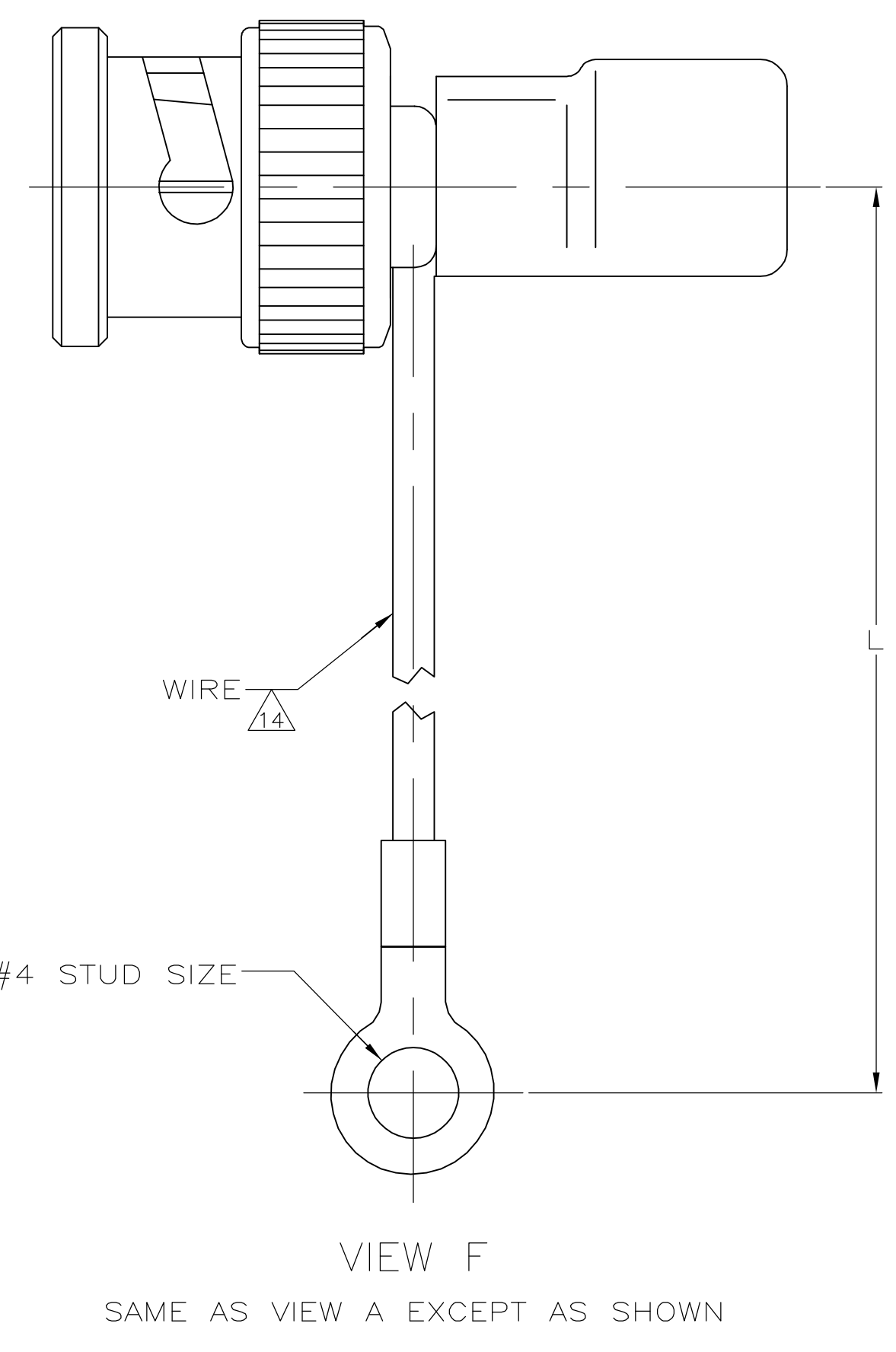


LOC	DIST	REVISIONS			
P	LR	DESCRIPTION	DATE	DN	APVD
AJ	16	AE1	REVISED PER ECO-06-018704	05SEP2006	MC JH



- 1 BRASS PER QQ-B-626.
- 2 BRASS PER MIL-C-21768.
- 3 BRASS PER MIL-C-50.
- 4 COPPER PER QQ-C-576.
- 5 POLYETHYLENE PER LP-390.
- 6 POLYESTER PER MIL-T-43435, COLOR NATURAL.
- 7 GOLD PLATE PER MIL-G-45204, 0.76 μm [.000030] MINIMUM THICK.
- 8 SILVER PLATE PER QQ-S-365, 2.54 μm [.000100] MINIMUM THICK.
- 9 NICKEL PLATE PER QQ-N-290, 1.27 μm [.000050] MINIMUM THICK.
- 10 TIN PLATE PER ASTM B 545, 2.54 μm [.000100] MIN THICK.
- 11 TIN PLATE PER ASTM B 545, 3.81 μm [.000150] MINIMUM THICK.
- 12 VALUE MARKED ON CONNECTOR BODY AS SHOWN. (SEE TABLE)
- 13 SEE SEPARATE RESTRICTED CUSTOMER DRAWING WITH THIS PART NUMBER.
- 14 16 GAUGE INSULATED GROUND WIRE.
- 15 ZINC PER QQ-Z-363



RESISTOR SPECIFICATIONS	MARKING	L	CENTER CONTACT PLATING	VIEW	PART NUMBER
OBSOLETE 1 1% 50 50Ω 1W	-	-	△	B	9-221629-1
OBSOLETE 1 1% 50 50Ω 1W	-	-	△	A	9-221629-0
OBSOLETE - 1% 50 50Ω 1W	2999.99±25.40 [118.11±1.00]	-	△	F	2-221629-2
OBSOLETE 1.3 - - -	-	-	-	-	2-221629-1
OBSOLETE 1.3 - - -	-	-	-	-	2-221629-0
OBSOLETE 1.3 - - -	-	-	-	-	1-221629-9
OBSOLETE 1 1% 50 50Ω 1W	-	-	△	B	1-221629-8
OBSOLETE 1 1% 50 50Ω 1W	85.85±2.03 [3.380±.080]	-	△	F	1-221629-6
OBSOLETE 1 1% 50 - -	-	-	△	D	1-221629-2
OBSOLETE .5 1% 75 75Ω .5W	-	-	△	C	1-221629-1
OBSOLETE 1 1% 50 50Ω 1W	-	-	△	B	221629-9
OBSOLETE 1 1% 50 50Ω 1W	-	-	△	B	221629-8
OBSOLETE .5 5% 100 100Ω .5W	-	-	△	B	221629-7
OBSOLETE 1 1% 93 93Ω 1W	-	-	△	B	221629-6
OBSOLETE 1 1% 75 75Ω 1W	-	-	△	B	221629-5
OBSOLETE 1 1% 50 50Ω 1W	-	-	△	B	221629-4
OBSOLETE 1 1% 93 93Ω 1W	-	-	△	A	221629-3
OBSOLETE 1 1% 75 75Ω 1W	-	-	△	A	221629-2
OBSOLETE 1 1% 50 50Ω 1W	-	-	△	A	221629-1

THIS DRAWING IS A CONTROLLED DOCUMENT.

DIMENSIONS: mm [NCHES]	TOLERANCES UNLESS OTHERWISE SPECIFIED:	DIN 9-22-90	J. LIPPERT	9-28-90	tyco Electronics	Tyco Electronics Corporation Harrisburg, PA 17105-3608
0 PLC ± -	1 PLC ± -	2 PLC ± -	3 PLC ± -	4 PLC ± -	ANGLES ± -	FINISH -
MATERIAL -	FINISH -	WEIGHT -	SIZE A1	CAGE CODE 00779	DRAWING NO. C=221629	RESTRICTED TO -
CUSTOMER DRAWING			SCALE 4:1	SHEET 1 OF 1	REV AE1	

TERMINATOR, PLUG, COMMERCIAL BNC